

GRADY - WHITE BOATS

2018



Freedom 375
37' dual console



“I never wanted to be the biggest...I wanted to be the best!” – Eddie Smith

HERITAGE

Established in 1959 in Greenville, North Carolina, Grady-White has earned a legendary reputation for building ruggedly elegant coastal fishing boats, developing great craftsmen, and nurturing strong customer relationships. Since buying the company in 1968, Eddie Smith has set the bar high for the Grady-White team to **achieve uncompromising quality through exceptional attention to detail**. Today, this results in a company that embodies integrity, pride in work well done, and care for customer and community. This is a part of every boat we build.

Grady-White’s secret to success is listening to customers’ wants and needs, and then having

engaged leadership and craftsmen incorporate these wish lists into features and products that truly enhance function and enjoyment. This intense focus on customers, and the team’s exceptional attention to detail, are fundamental to the impassioned leadership of Kris Carroll, a Grady-White team member since 1975, making her Eddie’s natural choice as president in 1993. Notably, she was the first woman president of a major boat company, and remains one of the few in the industry today.

Because Eddie Smith has always respected the environment and understands that outdoor recreation is a great gift to be protected for the

future, Grady-White continues to be a steadfast advocate for and contributor to fisheries conservation, education, and waterways management. Grady-White is proud to invest in enriching the lives of many people—our customers, employees, suppliers and our community—through our boats, our time, our resources, our passion for learning, and, most of all, our hearts. **This is who we are, yesterday, today and tomorrow. We invite you to learn more about us and the boats we build.**





Pacific 191 (1965)



*Freedom 215 (2018)
21' dual console*



Canyon 336
33' center console



Take a ride. Ask a Grady-White owner. The fact is, boat length for boat length, no hull performance in the category compares to Grady-White's exclusive SeaV²® hull.

AWARD-WINNING PERFORMANCE

Grady-White is one of the most renowned salt-water boat manufacturers in the world. One reason is **Grady-White's SeaV²® hull performance—top ranked #1 in each of the eight J.D. Power and Associates Marine Studies ever done.** Truth is, boat length for boat length, there is no ride that compares to Grady-White's. Grady-White delivers boating's driest, softest, and most stable ride through our unique multi-faceted hull design.

Grady-White's hull shape continuously sharpens from the transom to the bow, ranging from under 20 degrees deadrise at the stern to a sea-cutting 30 degrees or so amidships, then reaching a wave-

slicing 50-plus degrees at the bow. That deeper vee forward means a softer ride you won't find on other hulls. Less vee at the transom gives superior stability when you need it. The soft ride of a SeaV² hull is accomplished without sacrificing fuel efficiency. The sharp point of entry, teamed with the buoyancy provided by the varying deadrise, really cuts through the water.

Experienced captains will tell you, "The SeaV² hull tracks like it's on rails," giving superior performance in quartering and following seas. If you watch the spray coming off a SeaV² hull, you can see three wakes. That's the strakes and chines

knocking down spray. This design, combined with the flat hull surfaces, creates the unparalleled dry ride that Grady-White is famous for delivering.

Designed exclusively for Grady-White by C. Raymond Hunt Associates, Inc., originators of the modified vee, the SeaV² hull combines all of these features to assure you will have a great day on the water every time you use your boat, no matter what the conditions. **Test ride a SeaV² hull, and you will know the difference!**





Express 370
37' express cabin



Freedom 325
32' dual console



Folding aft bench seat. Patent No. 6,789,494

Design integrity aboard a Grady-White begins with the hull ride and continues through every patented and patent-pending innovation, down to the smallest fastener.

DESIGN INTEGRITY

Everyone here at Grady-White is emotionally committed to building the best boat possible for every customer. We are in touch with our customers. We meet them through factory visits, Grady Owners' Clubs, boat shows and dealer events. We personally answer calls, letters and emails. We read every customer survey, and have two-way communication through our website, publications, informal customer forums, and social media as well.

Customers inspire us. We get excited about the synergy that results from incorporating their ideas with ours to create new designs (even new patents!)

to delight them. As a result, **Grady-White delivers satisfaction and value beyond any other manufacturer.** Surveys have proven this, and when you ask any Grady-White owner they will tell you: Get the Grady!

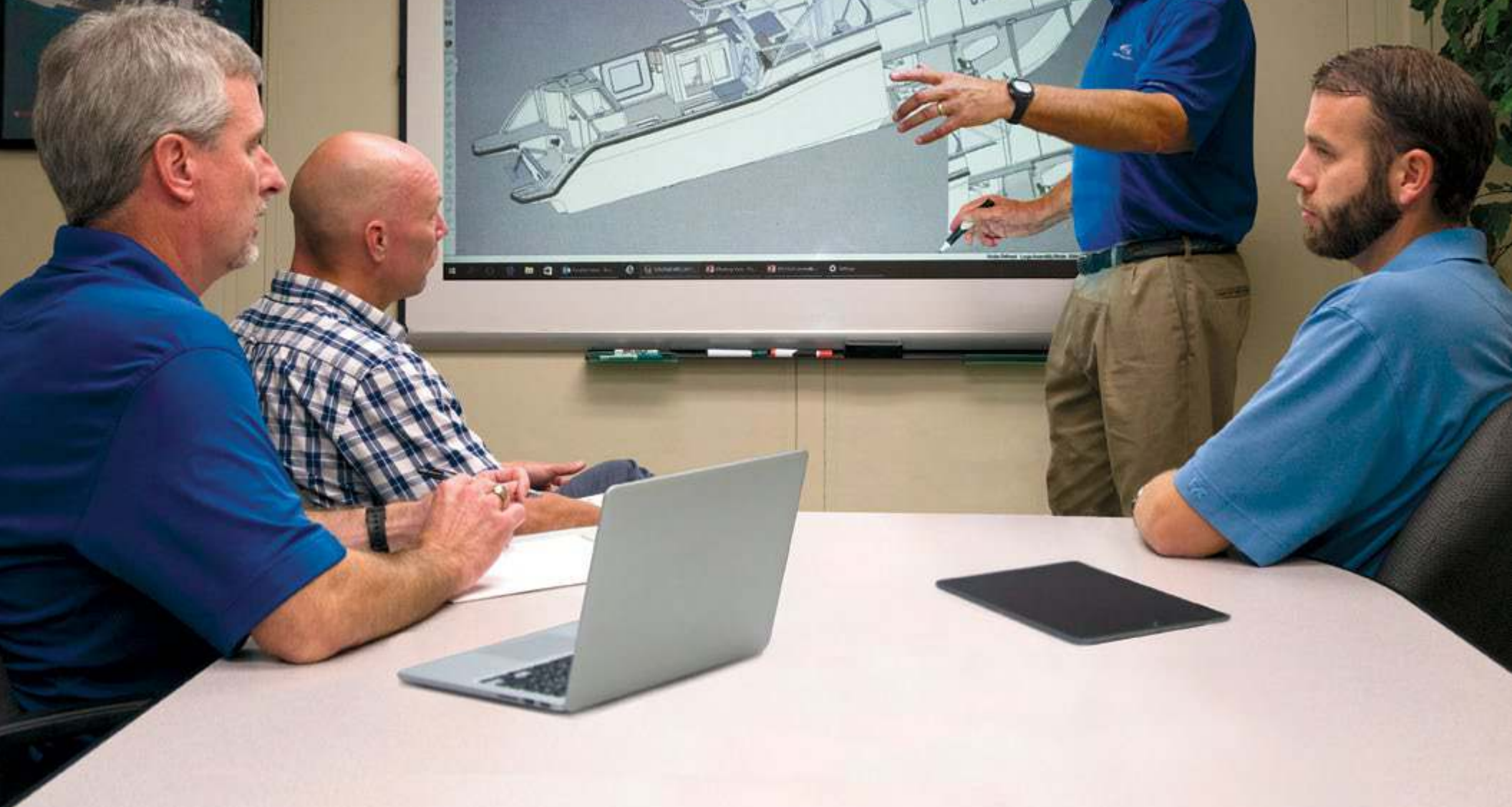
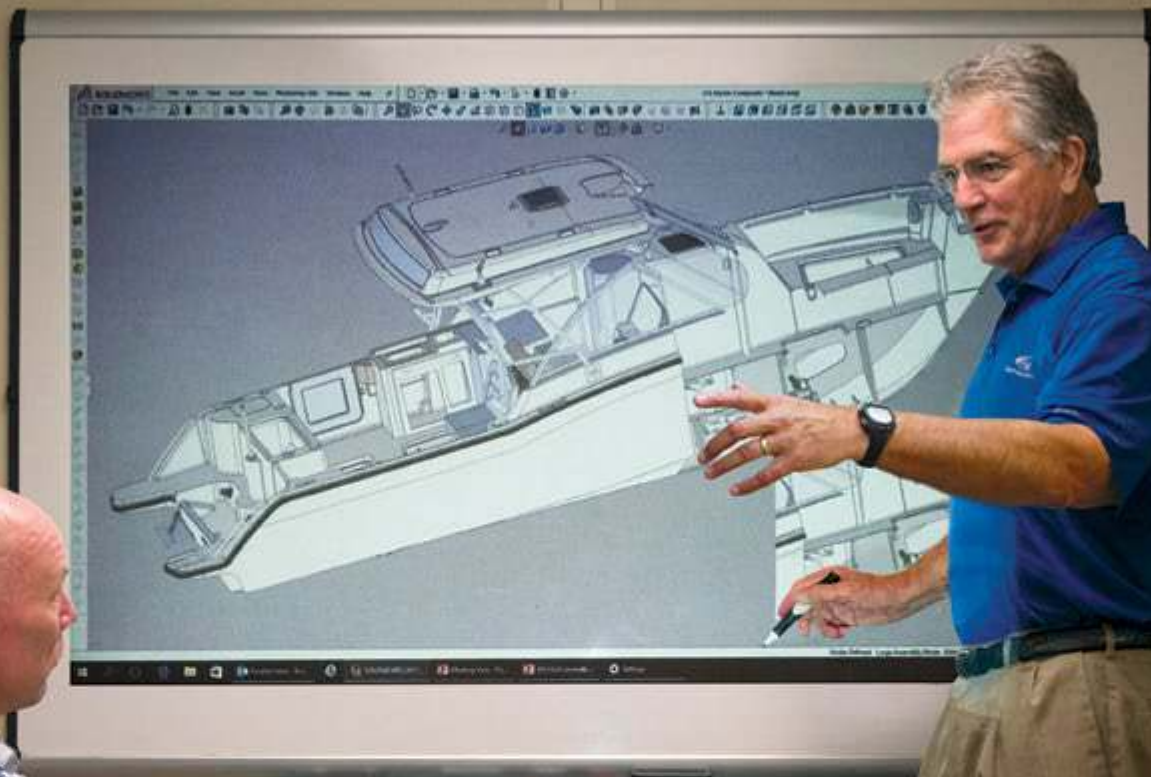
Aboard a Grady-White, everything is where and what it is because of the precise engineering accomplished by our staff of design professionals who are masters at integrating these customer requests. In addition, we invite other world-class structural and mechanical engineers and aesthetic stylists to enhance our ideas. Every Grady-White is examined and reexamined to make sure we are hitting the mark.

We build our boats to be classically elegant and ruggedly durable, with incredibly functional features.

No one builds a better boat than Grady-White!

Of course, we test our designs extensively. North Carolina's infamous choppy sounds, rough inlets, and often-unpredictable offshore waters make a great testing ground. We design and engineer all the details on our boats to perform superbly even in harsh conditions so you have the confidence to enjoy boating adventures safely, comfortably, and worry-free. **The sea does not compromise. Nor should you!**









The finest materials, the most skilled and experienced craftsmen, and attention to detail result in a better boat for you!

EXCEPTIONAL ATTENTION TO DETAIL

By paying exceptional attention to detail, we build better boats. There is not just one factor but a combination that allows us to accomplish such excellence. Of course, this includes better hardware, superior laminates, structural integrity, and unsinkable foam flotation—quality components you will not find in other brands. From product design, to the materials, to the craftsmen; from our factory environment, workflow, and the tools we use; from our **customer support, exclusive Captain Grady app, and superb dealer training—all of these come together to provide a boat that is unequalled in elegant form and exquisite function,** and a boating

experience that is unmatched. The look and feel of a Grady-White stands tall and proud.

Visitors to the plant always comment on the happy, focused, and inspired team they meet when touring our facility, and the pride evident in their work. Our craftsmen are very thorough and highly experienced. Our designers and engineers are meticulous. Leaders ensure that all team members have everything needed to enthusiastically contribute their creative energy. Every person in every position contributes to the accomplishment of delivering the product satisfaction and reliability that you expect and deserve. **You are cordially**

invited to visit our facility and see for yourself our amazing craftsmen and processes. Call or go online to schedule your visit.

Human hearts and hands are the most important part of boatbuilding. Grady-White produces exceptional quality with engaged, focused, and happy craftsmen. We would love for you to come visit the factory and see for yourself. **For us, this is not an eight-hour-a-day job. It's our way of life.**

Our team, through exceptional attention to detail, provides an ownership experience that will delight you, your family, and friends with memories that last a lifetime.





Freedom 275
27' dual console

- 1. The bow anchor locker** allows quick access to the anchor for safety. Many models have power windlasses with remote switches.
- 2. Flush mount electronics areas** are standard on most models.
- 3. Comfortable seating** throughout the boat is second to none. Our deluxe seating is fully adjustable for additional comfort. Flip-up seat bolsters are available on many models.
- 4. Sound systems** are available on nearly all Gradys. They are standard on our larger models.
- 5. Dry storage.** Every Grady has plenty, just what you need to enjoy many activities on the water. Room for tow tools and toys, fishing and dive gear, picnic supplies, towels, extra clothing, personal items and more.
- 6. Easy to maintain and clean, stainless steel lined drink holders** are everywhere you need them. Convenient, and fewer slippery spills for safety!

- 7. Storage nets** are easy to use, easy to get to and perfect for stowing lots of items you can see and quickly locate, especially personal flotation devices (PFDs) in the bigger nets!
- 8. Enclosed head area.** Every Grady-White 20 feet and over offers a head or head option. That's great comfort for all-day adventures.
- 9. Toe rails** are easy to maintain and provide additional safety when you lean over the gunwale.
- 10. Take the rods along every trip!** There's room for plenty of rods on every Grady-White. Cabin models, T-tops and hardtops often have additional rod racks.
- 11. Patented fold away aft seating** is available on most models, opening up more cockpit room. Big cockpits are a Grady-White feature.
- 12. Grady-White's nonskid surfaces** are everywhere you step, and really provide traction.

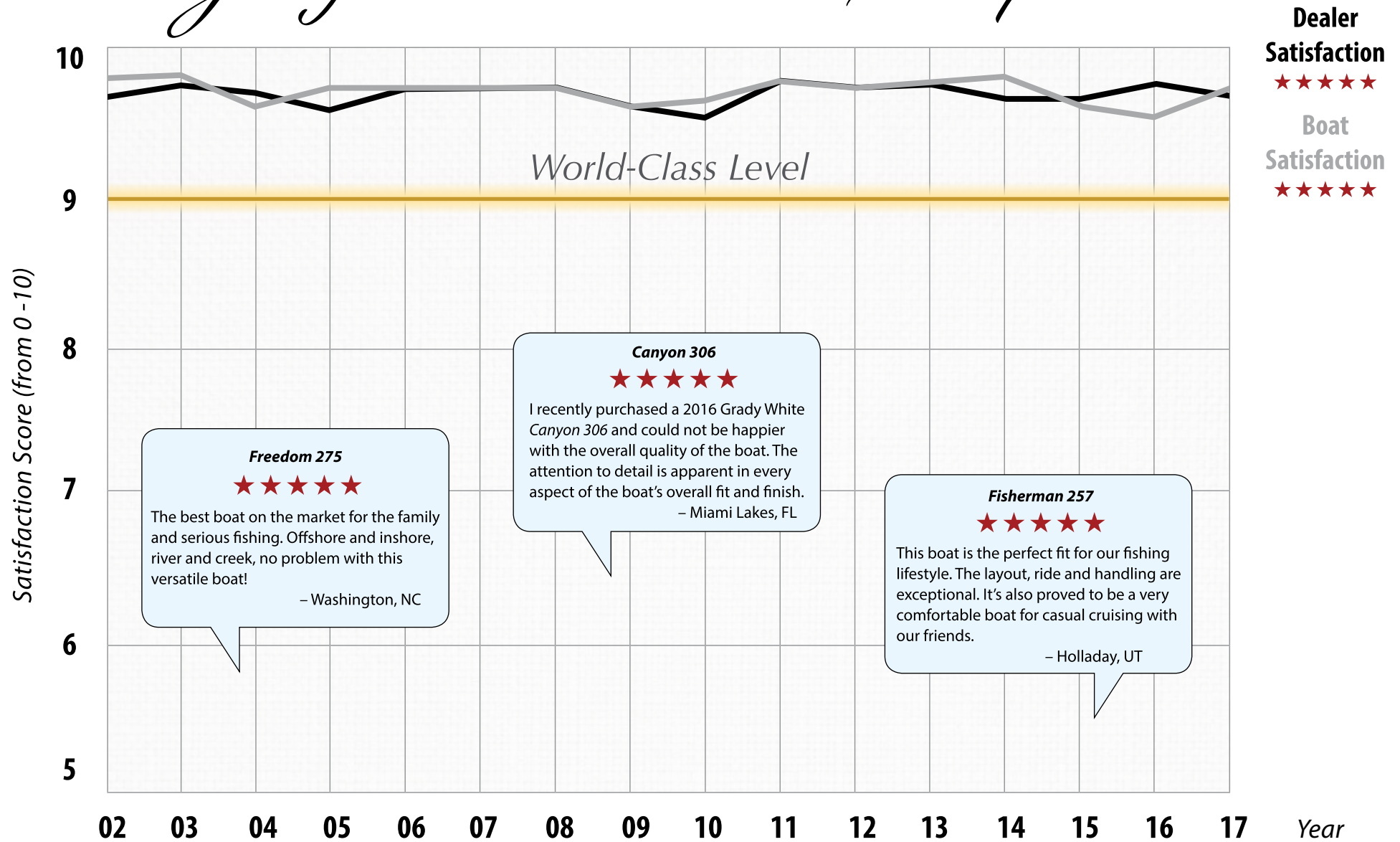
- 13. Tackle storage** and rigging areas are located on most models.
- 14. Insulated ice boxes and fish boxes** drain directly overboard by gravity on every Grady.
- 15. Handholds** are abundant where you naturally reach, for added safety.
- 16. Safety windshield.** We select the right material for each boat to give you complete confidence.
- 17. True self-bailing** boat directs water overboard by gravity whether at rest or underway. All scuppers drain overboard. Inspection ports are watertight. All Grady-Whites have automatic bilge pumps, with two pumps on most models over 20 feet. Our dedication to self-bailing cockpit integrity is unparalleled.
- 18. All Grady-Whites have foam sprayed into the hull for level or basic flotation,** even though not required in boats 20 feet and over. This foam also adds strength, thermal insulation, and deadens sounds. There is no boat brand with better flotation properties.

19. Through-bolted 316 stainless steel hardware is secured with locking nuts.

20. Heavy-duty fiberglass transom door on applicable models is not only for big fish, but is a safety feature and provides easy access for tow sports, swimming, snorkeling, and more. Solid, 316 stainless transom door hardware is highlighted by a new, easy-to-use, oversized latch with a positive locking mechanism for added safety.

21. Aluminum transom brace is bonded to the top of transoms, which reinforces transom strength and distributes motor torque. On integrated bracket models, the brace is through bolted to the longitudinal stringer system.

Grady-White Customer Satisfaction



See gradywhite.com for more customer ratings & reviews.



Grady-White, Grady dealers, and our entire team of associates are unique in providing a higher level of owner confidence, boating pleasure, and customer satisfaction.

WORLD-CLASS CUSTOMER SATISFACTION

Grady-White Boats is qualitatively and quantitatively differentiated from all other coastal boat brands in customer satisfaction. Thanks largely to continuous private ownership and its vision and values, Grady-White Boats for nearly 60 years has **achieved levels of satisfaction attained by only a few premium products in any industry.** We have done so by adhering to the core principle of working hard to delight customers. **Genuine customer satisfaction takes tremendous effort and consistency over the long term, and Grady-White is unique** in doing so.

The company has earned respect, appreciation, and praise from four generations of happy customers, ranking highest in every single objective measure of excellence in customer satisfaction ever done in the marine industry. Working together, our craftsmen, dealers, and business associates have achieved an unprecedented and unmatched record of delivering the ultimate boating experience. **This world-class quality, reliability, and performance are attributes of the Grady-White family as well as of the boats themselves.**

This accomplishment is beyond the scope of other brands, and means that **Grady-White is the best option to consider in your boat purchasing plans if lasting value and ownership happiness before, during, and after the sale are more important to you and your family than short term considerations.**







Lady Godiver

GRADY-WHITE

PUNTA GORDON

YAMAHA

Live The Grady Life

The Grady Life reflects the pride, joy, and confidence you have in owning a Grady. Enjoy your great Grady days with family and friends, or on an outing with fellow owners in one of over 30 Grady-White Owners' Clubs.

THE GRADY LIFE— A BETTER BOATING EXPERIENCE

The Grady Life—where exceptional attention to detail becomes exceptional fun! There is a rich “Grady family” relationship among owners. We hear over and over, “You meet the nicest people on a Grady!” That spirit and love of a great get-together are part of the reason for Grady-White Owners’ Clubs. Visit a gathering, and you’ll want to come back!

Grady Owners’ Club and dealership events are the social hub for The Grady Life. Activities include tournaments, seminars, customer appreciation parties, overnights, and day trips. All of this builds confidence for new or broadened adventures, whether a local raft-up, lunch cruise, or a multi-day ocean passage.

Exceptional camaraderie extends across regions, with clubs joining together for seasonal tournaments, annual Gradypaloozas, and the mother of all Grady gatherings, Grady Fest. Grady owners are a great source of information for all kinds of tips, recipes for cooking onboard, boating wisdom, and local knowledge. You may even hear about a new fishing hotspot or dream cruise!

Grady owner get-togethers give us the opportunity to learn, laugh, and play alongside our customers. This way we can design products to delight and inspire you, our customers, just the way you delight and inspire us!

We build boats that create relaxation, fun, and fabulous memories—a great way to recharge emotional batteries! Check out the Grady-White website for marvelous photographs from customers around the world, and see the calendar of events. Follow Grady enthusiasts on social media as they recount their memories of a lifetime.

Whether it’s your first boat or your twentieth, a new Grady-White is the best boat to own, and The Grady Life is the best boating lifestyle. **We can’t wait to share the Grady-White difference with you!**
Get the Grady!







VISIT

gradywhite.com

An exceptional level of detailed information about all our models



Canyon 306
30' center console

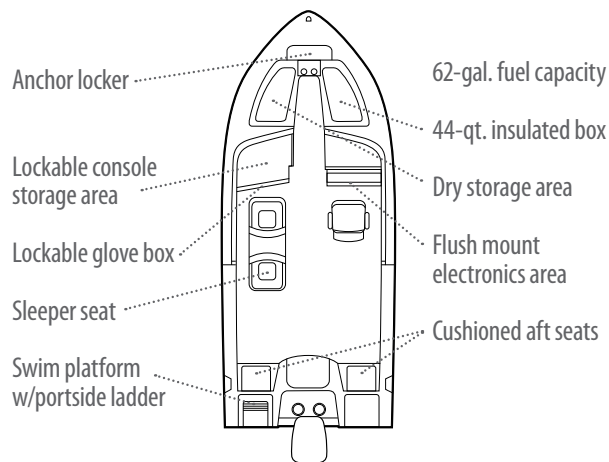
Freedom 192 19' DUAL CONSOLE



Shown with optional features

Beam Amidships: 8' (2.44 m)
 Center Line Length
 w/o Engine: 19'2" (5.84 m)
 Bridge Clearance: 5' (1.52 m)
 Cockpit Depth: 25" (0.64 m)
 Hull Draft: 14" (0.36 m)

Transom Deadrise: 15.5 degrees
 (SeaV²® progression)
 Maximum HP: 200 (149 kW)
 Fuel Capacity - Standard: 62 gal. (235 l)
 Weight w/o Engine: 2475 lb. (1123 kg)



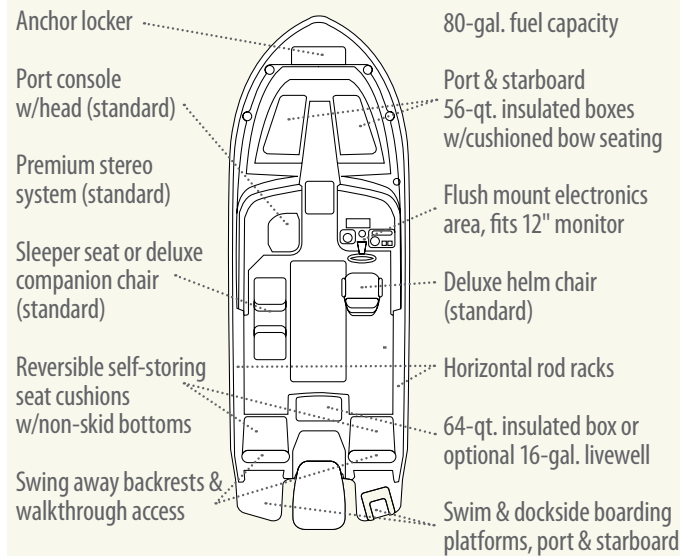
Freedom 215 21' DUAL CONSOLE



Shown with optional features

Beam Amidships: 8'6" (2.59 m)
 Center Line Length
 w/o Engine: 21'3" (6.48 m)
 (swim platforms not included)
 LOA w/Swim Platforms: 23'3" (7.09 m)
 Bridge Clearance: 5'4" (1.63 m)
 Cockpit Depth: 25" (0.64 m)

Hull Draft: 16" (0.41 m)
 Transom Deadrise: 19 degrees
 (SeaV²® progression)
 Maximum HP: 250 (187 kW)
 Fuel Capacity - Standard: 80 gal. (303 l)
 Passenger Capacity: 8
 Weight w/o Engine: 3150 lb. (1429 kg)



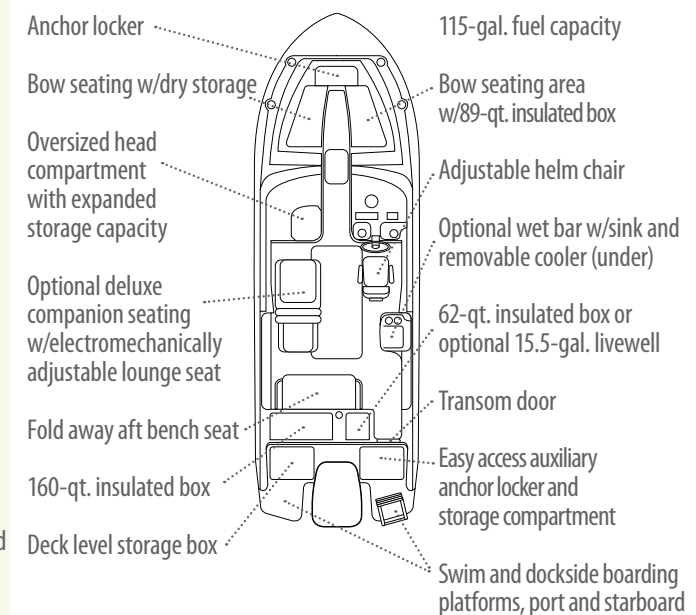
Freedom 235 23' DUAL CONSOLE



Shown with optional features

Beam Amidships: 8'6" (2.59 m)
 Center Line Length
 w/o Engine: 23'7" (7.18 m)
 (swim platforms not included)
 LOA w/Swim Platforms: 25'7" (7.80 m)
 Bridge Clearance: 5'7" (1.70 m)
 w/Hardtop: 7'9" (2.36 m)
 Cockpit Depth: 25" (0.64 m)

Hull Draft: 20" (0.51 m)
 Transom Deadrise: 20 degrees
 (SeaV²® progression)
 Maximum HP: 300 (224 kW)
 Fuel Capacity - Standard: 115 gal. (435 l)
 Passenger Capacity: 10
 Weight w/o Engine: 4050 lb. (1837 kg)



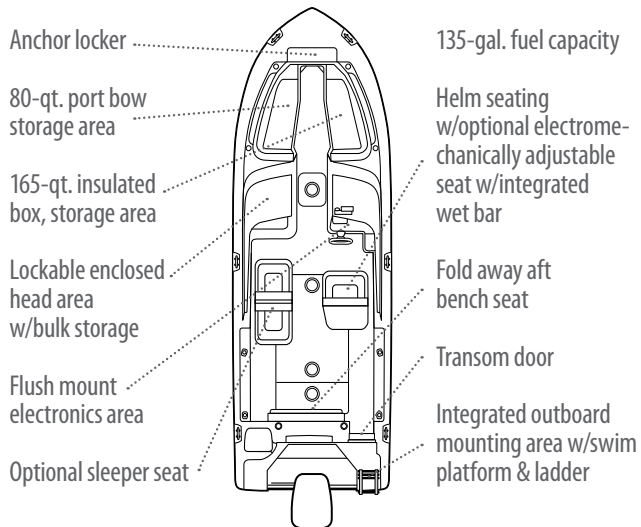
Freedom 255 25' DUAL CONSOLE



Shown with optional features

Beam Amidships: 8'6" (2.53 m)
 Center Line Length
 w/o Engine: 24'9" (7.55 m)
 Bridge Clearance: 5'7" (1.70 m)
 w/Hardtop: 7'8" (2.34 m)
 Cockpit Depth: 27" (0.69 m)
 Hull Draft: 20" (0.51 m)

Transom Deadrise: 20 degrees
 (SeaV²® progression)
 Maximum HP: 400 (298 kW)
 Fuel Capacity - Standard: 135 gal. (511 l)
 Passenger Capacity: 10
 Weight w/o Engine: 4744 lb. (2152 kg)



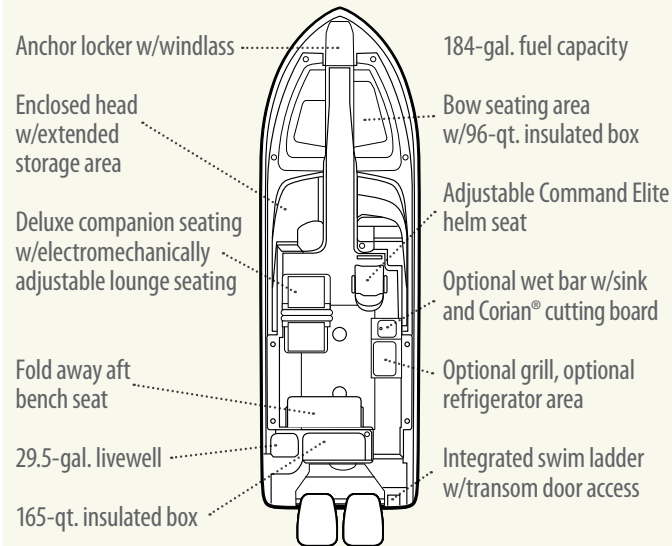
Freedom 275 27' DUAL CONSOLE



Shown with optional features

Beam Amidships: 8'6" (2.59 m)
 Center Line Length
 w/o Engines: 26'11" (8.20 m)
 Bridge Clearance: 8'6" (2.59 m)
 Cockpit Depth: 27" (0.69 m)
 Hull Draft: 20" (0.51 m)

Transom Deadrise: 18.9 degrees
 (SeaV²® progression)
 Maximum HP: 500 (373 kW)
 Fuel Capacity - Standard: 184 gal. (696 l)
 Weight w/o Engines: 4972 lb. (2255 kg)



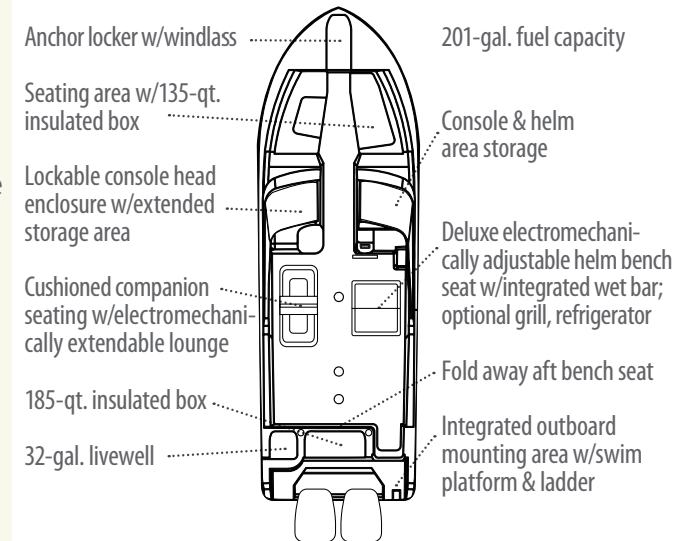
Freedom 285 28' DUAL CONSOLE



Shown with optional features

Beam Amidships: 9'6" (2.89 m)
 Center Line Length
 w/o Engines: 28' (8.53 m)
 Bridge Clearance: 8' (2.44 m)
 Cockpit Depth: 27" (0.69 m)
 Hull Draft: 20" (0.51 m)

Transom Deadrise: 19 degrees
 (SeaV²® progression)
 Maximum HP: 600 (448 kW)
 Fuel Capacity - Standard: 201 gal. (761 l)
 Weight w/o Engines: 6220 lb. (2821 kg)



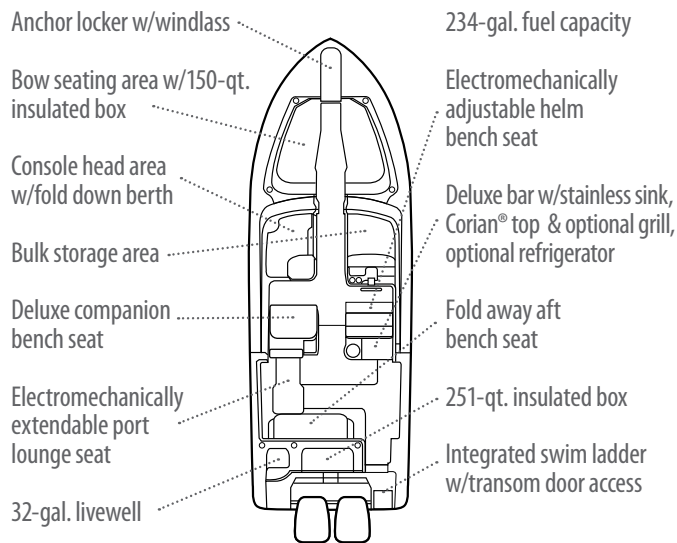
Freedom 307 30' DUAL CONSOLE



Shown with optional features

Beam Amidships: 10'7" (3.23 m)
 Center Line Length
 w/o Engines: 30'6" (9.30 m)
 Bridge Clearance: 8'10" (2.69 m)
 Cockpit Depth: 27" (0.69 m)
 Hull Draft: 22" (0.56 m)

Transom Deadrise: 19.5 degrees
 (SeaV²® progression)
 Maximum HP: 700 (522 kW)
 Fuel Capacity - Standard: 234 gal. (886 l)
 Weight w/o Engines: 7850 lb. (3561 kg)



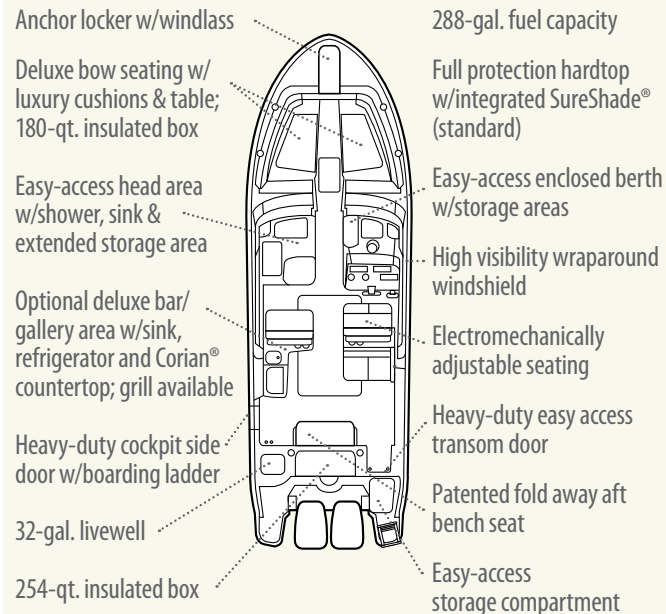
Freedom 325 32' DUAL CONSOLE



Shown with optional features

Beam Amidships: 10'9" (2.59 m)
 Center Line Length
 w/o Engines: 31'2" (9.50 m)
 (swim platforms not included)
 LOA w/Swim Platforms: 33'1" (10.08 m)
 Bridge Clearance: 8'10" (2.69 m)
 Cockpit Depth: 27" (0.69 m)

Hull Draft: 24" (0.61m)
 Transom Deadrise: 20 degrees
 (SeaV²® progression)
 Maximum HP: 700 (522 kW)
 Fuel Capacity - Standard: 288 gal. (1090 l)
 Weight w/o Engines: 9550 lb.
 (4332 kg) (est.)



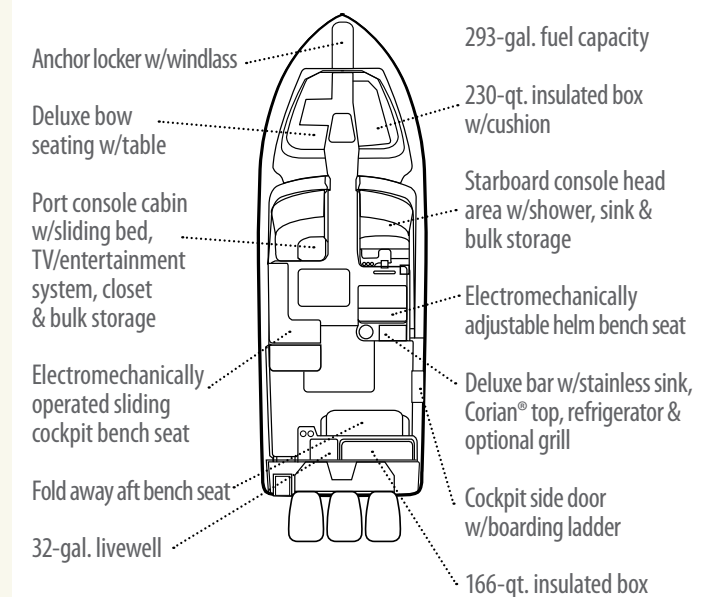
Freedom 335 33' DUAL CONSOLE



Shown with optional features

Beam Amidships: 11'7" (3.53 m)
 Center Line Length
 w/o Engines: 33'6" (10.21 m)
 Bridge Clearance: 9'8" (2.95 m)
 Cockpit Depth: 29" (0.74 m)
 Hull Draft: 26" (0.66 m)

Transom Deadrise: 20 degrees
 (SeaV²® progression)
 Maximum HP: 900 (671 kW)
 Fuel Capacity - Standard: 293 gal. (1109 l)
 Weight w/o Engines: 13,090 lb. (5937 kg)



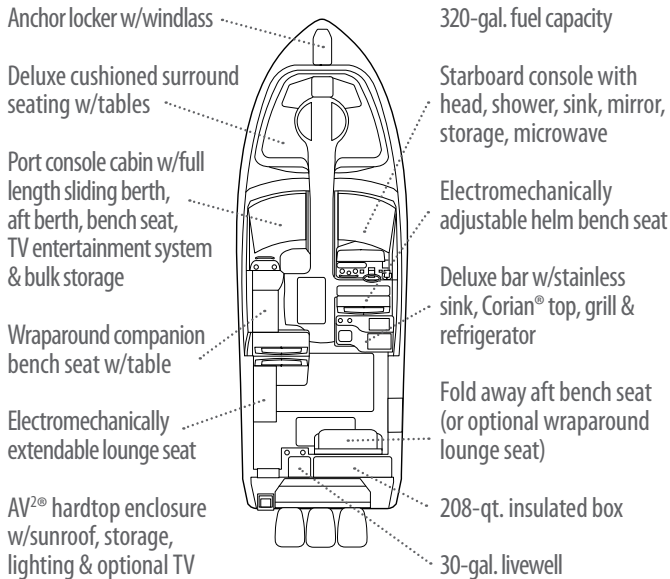
Freedom 375 37' DUAL CONSOLE



Shown with optional features

Beam Amidships: 13'2" (4.01 m)
 Center Line Length
 w/o Engines: 36'7" (11.15 m)
 Bridge Clearance: 9'11" (3.02 m)
 Cockpit Depth: 28" (0.71 m)
 Hull Draft: 29" (0.74 m)

Transom Deadrise: 20 degrees
 (SeaV²® progression)
 Maximum HP: 1050 (783 kW)
 Fuel Capacity - Standard: 320 gal. (1211 l)
 Weight w/o Engines: 16,520 lb. (7493 kg)



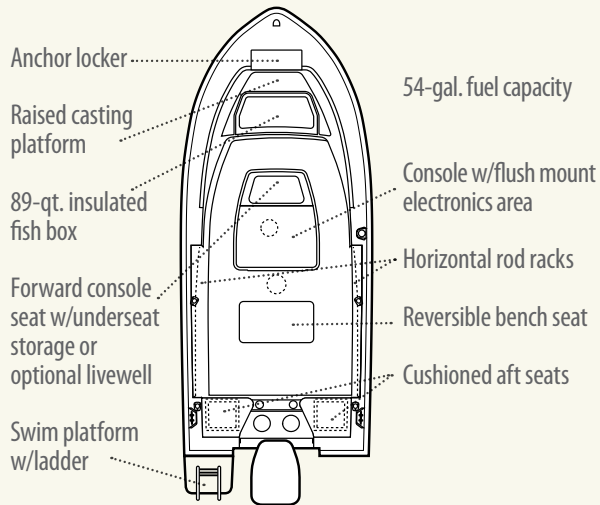
Fisherman 180 18' CENTER CONSOLE



Shown with optional features

Beam Amidships: 7'5" (2.26 m)
 Center Line Length:
 w/o Engine: 17'10" (7.55 m)
 Bridge Clearance: 5'7" (1.70 m)
 Cockpit Depth: 22" (0.56 m)
 Hull Draft: 15" (0.38 m)

Transom Deadrise: 19 degrees
 (SeaV²® progression)
 Maximum HP: 150 (112 kW)
 Fuel Capacity - Standard: 54 gal. (204 l)
 Passenger Capacity: 7
 Weight w/o Engine: 2150 lb. (975 kg)



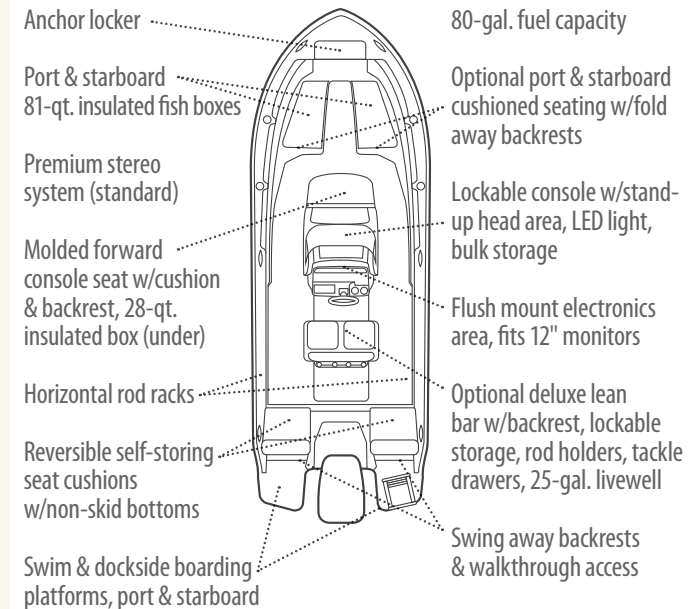
Fisherman 216 21' CENTER CONSOLE



Shown with optional features

Beam Amidships: 8'6" (2.59 m)
 Center Line Length
 w/o Engine: 21'3" (6.47 m)
 (swim platforms not included)
 LOA w/Swim Platforms: 23'3" (7.09 m)
 Bridge Clearance: 6'7" (2 m)
 w/T-top: 7'11" (2.41 m)
 Cockpit Depth: 25" (0.64 m)

Hull Draft: 16" (0.41 m)
 Transom Deadrise: 19 degrees
 (SeaV²® progression)
 Maximum HP: 250 (187 kW)
 Fuel Capacity - Standard: 80 gal. (303 l)
 Passenger Capacity: 8
 Weight w/o Engine: 3125 lb. (1417 kg)

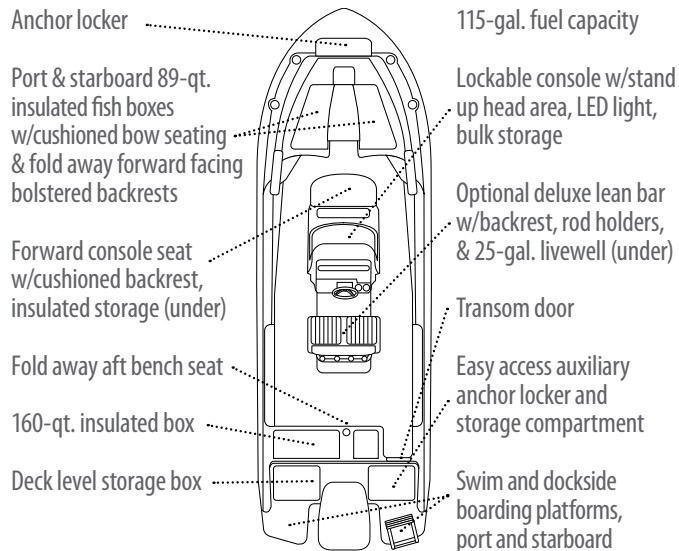


Fisherman 236 23' CENTER CONSOLE



Shown with optional features

- Beam Amidships: 8'6" (2.59 m)
- Center Line Length w/o Engine: 23'7" (7.18 m) (swim platforms not included)
- LOA w/Swim Platforms: 25'7" (7.80 m)
- Bridge Clearance: 6'5" (1.96 m) w/T-top: 8'2" (2.49 m)
- Cockpit Depth: 25" (0.64 m)
- Hull Draft: 18.5" (0.47 m)
- Transom Deadrise: 20 degrees (SeaV²® progression)
- Maximum HP: 300 (224 kW)
- Fuel Capacity - Standard: 115 gal. (435 l)
- Passenger Capacity: 10
- Weight w/o Engine: 3900 lb. (1769 kg)

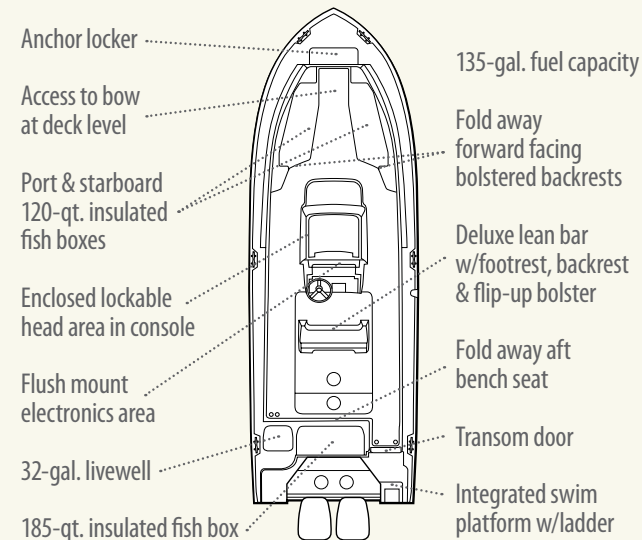


Fisherman 257 25' CENTER CONSOLE



Shown with optional features

- Beam Amidships: 8'6" (2.59 m)
- Center Line Length w/o Engine: 24'9" (7.55 m)
- Bridge Clearance: 7' (2.13 m) w/T-top: 8'6" (2.59 m)
- Cockpit Depth: 27" (0.69 m)
- Hull Draft: 20" (0.51 m)
- Transom Deadrise: 20 degrees (SeaV²® progression)
- Maximum HP: 400 (298 kW)
- Fuel Capacity - Standard: 135 gal. (511 l)
- Passenger Capacity: 10
- Weight w/o Engine: 4300 lb. (1951 kg)

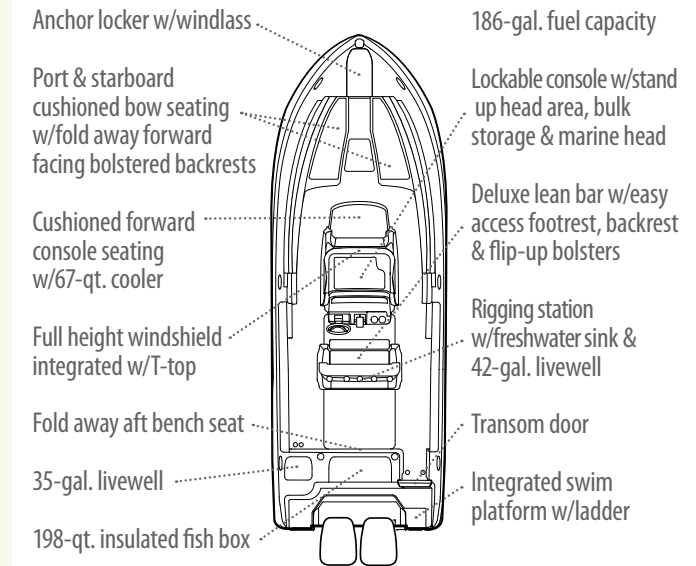


Canyon 271 FS 27' CENTER CONSOLE



Shown with optional features

- Beam Amidships: 9'6" (2.89 m)
- Center Line Length w/o Engines: 26'10" (8.18 m)
- Bridge Clearance: 8' (2.44 m)
- Cockpit Depth: 27" (0.69 m)
- Hull Draft: 23" (0.58 m)
- Transom Deadrise: 20 degrees (SeaV²® progression)
- Maximum HP: 600 (448 kW)
- Fuel Capacity - Standard: 186 gal. (704 l)
- Weight w/o Engines: 5914 lb. (2682 kg)



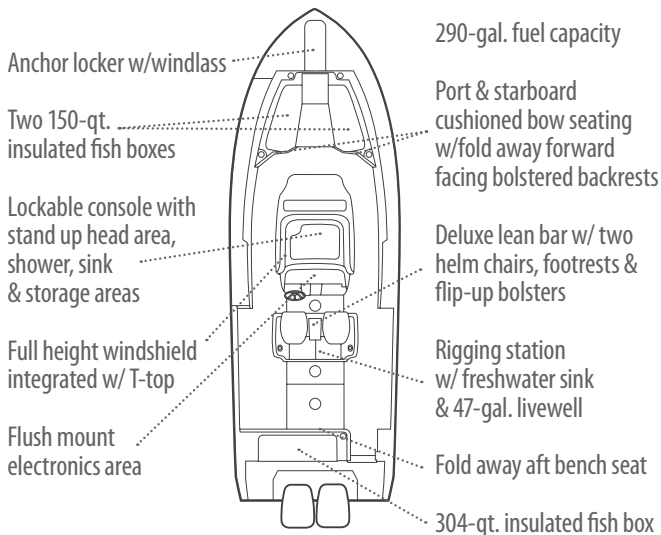
Canyon 306 30' CENTER CONSOLE



Shown with optional features

Beam Amidships: 10'7" (3.23 m)
 Center Line Length
 w/o Engines: 30'6" (9.30 m)
 Bridge Clearance: 9'4" (2.84 m)
 Cockpit Depth: 27" (0.69 m)
 Hull Draft: 21" (0.53 m)

Transom Deadrise: 19.5 degrees
 (SeaV²® progression)
 Maximum HP: 700 (522 kW)
 Fuel Capacity - Standard: 290 gal. (1098 l)
 Weight w/o Engines: 6950 lb. (3152 kg)



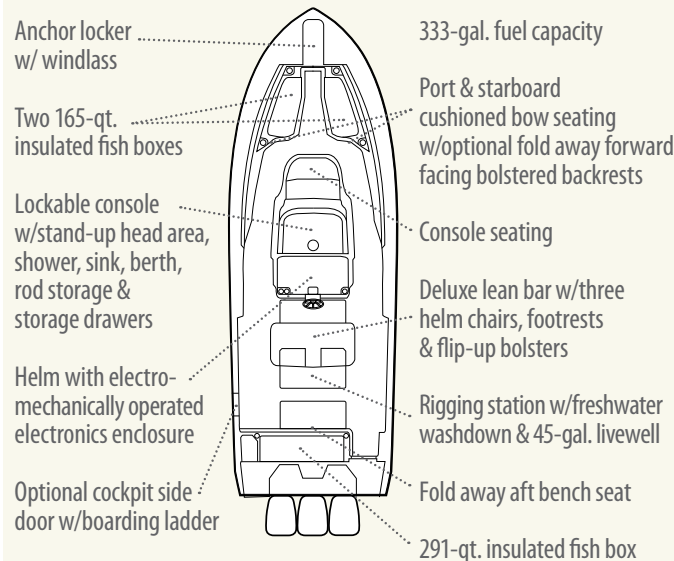
Canyon 336 33' CENTER CONSOLE



Shown with optional features

Beam Amidships: 11'7" (3.53 m)
 Center Line Length
 w/o Engines: 33'6" (10.21 m)
 Bridge Clearance: 9'2" (2.79 m)
 Cockpit Depth: 29" (0.74 m)
 Hull Draft: 25" (0.64 m)

Transom Deadrise: 20 degrees
 (SeaV²® progression)
 Maximum HP: 900 (671 kW)
 Fuel Capacity - Standard: 333 gal. (1260 l)
 Weight w/o Engines: 9200 lb. (4173 kg)



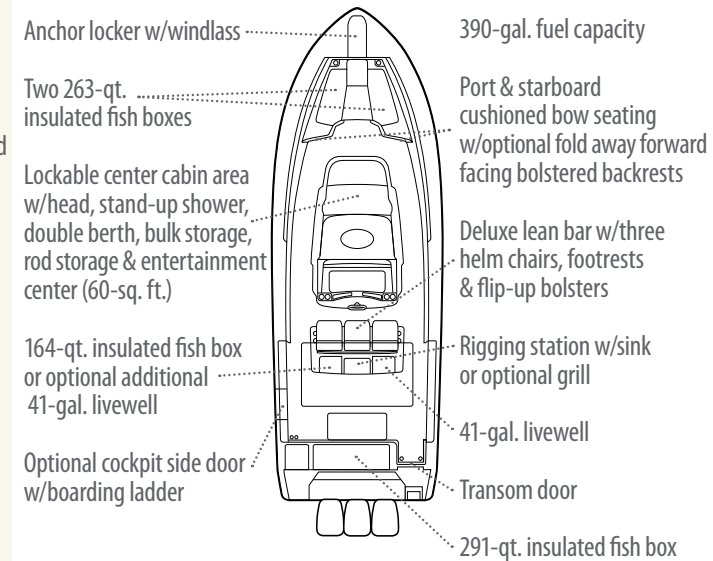
Canyon 376 37' CENTER CONSOLE



Shown with optional features

Beam Amidships: 13'2" (4.01 m)
 Center Line Length
 w/o Engines: 36'7" (11.15 m)
 Bridge Clearance: 9' (2.74 m)
 Cockpit Depth: 28" (0.71 m)
 Hull Draft: 29" (0.74 m)

Transom Deadrise: 20 degrees
 (SeaV²® progression)
 Maximum HP: 1050 (783 kW)
 Fuel Capacity - Standard: 390 gal. (1476 l)
 Weight w/o Engines: 13,533 lb. (6138 kg)



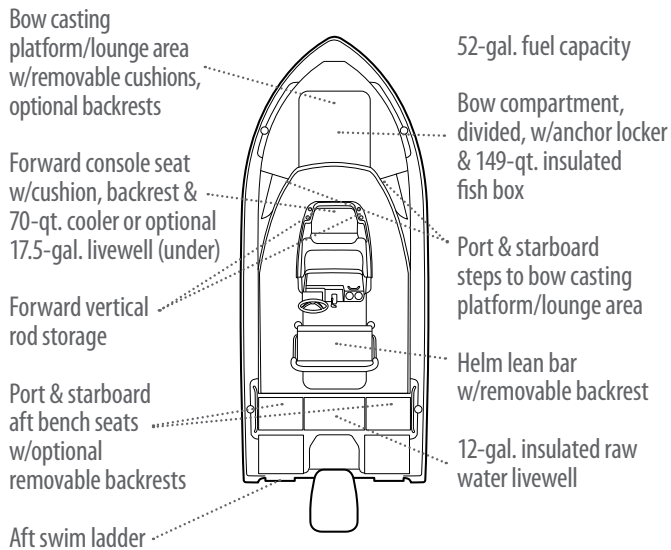
191 CE 19' COASTAL EXPLORER



Shown with optional features

Beam Amidships: 8'2" (2.49 m)
 Center Line Length:
 w/o Engine: 19'4" (5.89 m)
 Bridge Clearance: 5'3" (1.60 m)
 Cockpit Depth: 20" (0.51 m)
 Hull Draft: 14" (0.36 m)

Transom Deadrise: 14.5 degrees
 (SeaV²® progression)
 Maximum HP: 200 (149 kW)
 Fuel Capacity - Standard: 52 gal. (197 l)
 Passenger Capacity: 8
 Weight w/o Engine: 2360 lb. (1070 kg)



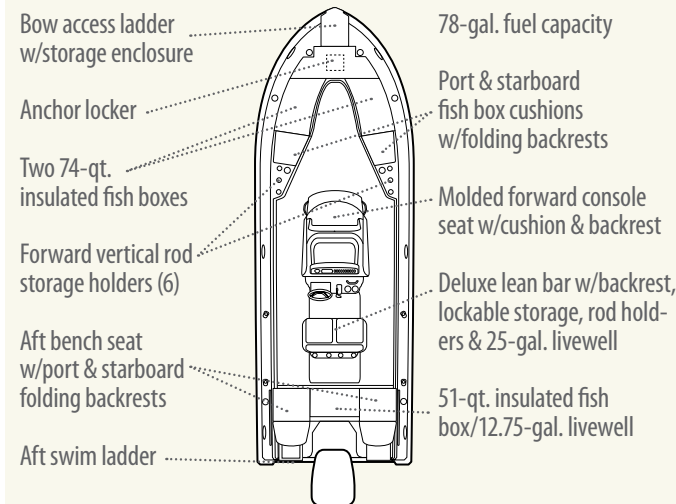
251 CE 25' COASTAL EXPLORER



Shown with optional features

Beam Amidships: 8'6" (2.59 m)
 Center Line Length
 w/o Engine: 24'7" (7.49 m)
 Bridge Clearance: 6'1" (1.85 m)
 w/T-top: 7'9" (2.36 m)
 Cockpit Depth: 20" (0.51 m)
 Hull Draft: 14" (0.36 m)

Transom Deadrise: 16 degrees
 (SeaV²® progression)
 Maximum HP: 300 (224 kW)
 Fuel Capacity - Standard: 78 gal. (295 l)
 Passenger Capacity: 10
 Weight w/o Engine: 3715 lb. (1685 kg)



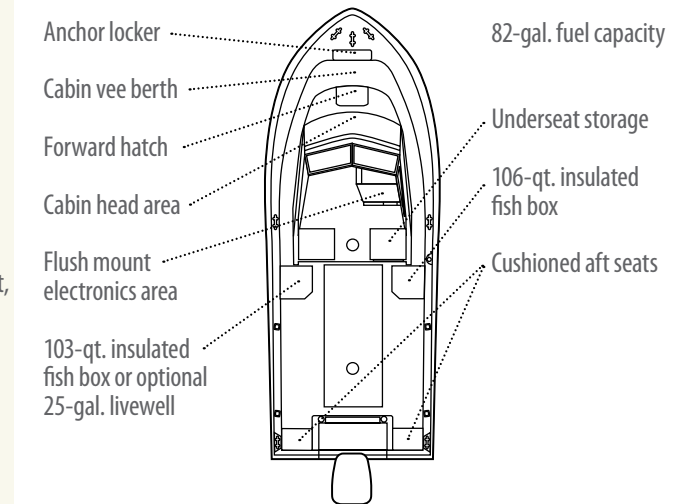
Adventure 208 20' WALKAROUND CABIN



Shown with optional features

Beam Amidships: 8'1" (2.46 m)
 Center Line Length
 w/o Engine: 20'4" (6.20 m)
 Bridge Clearance: 5'9" (1.75 m)
 w/Hardtop: 8' (2.44 m)
 Cockpit Depth: 25" (0.64 m)
 Hull Draft: 15" (0.38 m)

Transom Deadrise: 18 degrees
 (SeaV²® progression)
 Maximum HP: 250 (187 kW)
 Fuel Capacity - Standard: 82 gal. (310 l)
 Passenger Capacity: 8
 Weight w/o Engine: 2900 lb. (1315 kg)

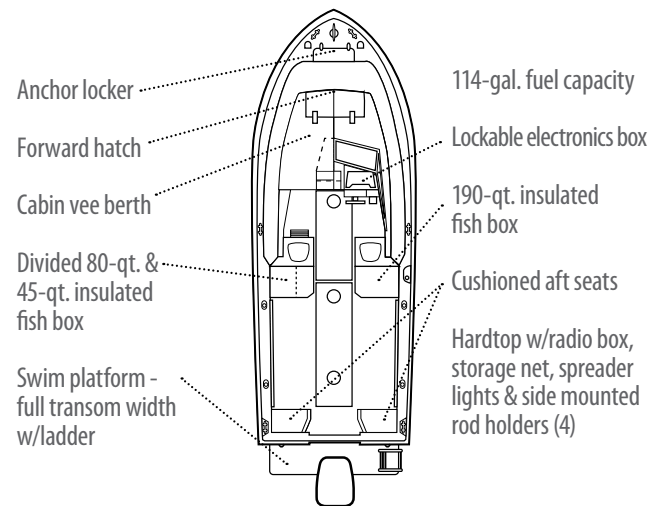


Seafarer 228 22' WALKAROUND CABIN



Shown with optional features

- Beam Amidships: 8' (2.44 m)
- Center Line Length w/o Engine: 22'2" (6.76 m)
- Bridge Clearance: 6'2" (1.88 m) w/Hardtop: 8'4" (2.54 m)
- Cockpit Depth: 26" (0.66 m)
- Hull Draft: 16" (0.41 m)
- Transom Deadrise: 20 degrees (SeaV²® progression)
- Maximum HP: 300 (224 kW)
- Fuel Capacity - Standard: 114 gal. (431 l)
- Passenger Capacity: 10
- Weight w/o Engine: 3510 lb. (1592 kg)

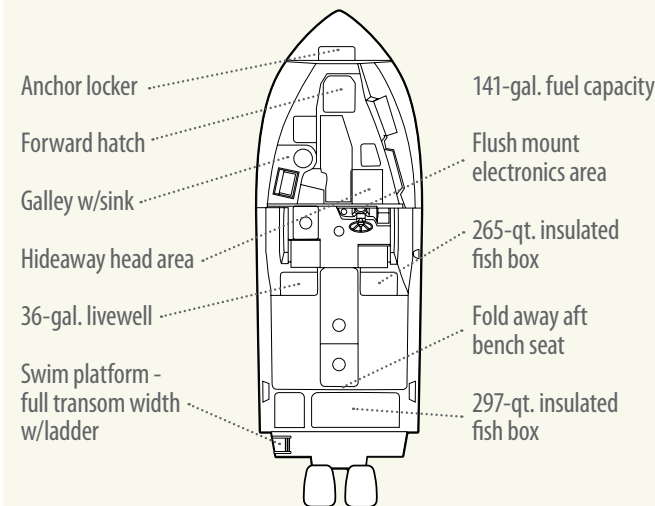


Gulfstream 232 23' WALKAROUND CABIN



Shown with optional features

- Beam Amidships: 9'3" (2.82 m)
- Center Line Length w/o Engine: 23'5" (7.14 m)
- Bridge Clearance: 6'5" (1.96 m) w/Hardtop: 8'8" (2.64 m)
- Cockpit Depth: 27" (0.69 m)
- Hull Draft: 20" (0.51 m)
- Transom Deadrise: 20 degrees (SeaV²® progression)
- Maximum HP: 400 (298 kW)
- Fuel Capacity - Standard: 141 gal. (534 l)
- Passenger Capacity: 10
- Weight w/o Engine: 232S: 4538 lb. (2058 kg) 232D: 4605 lb. (2089 kg)

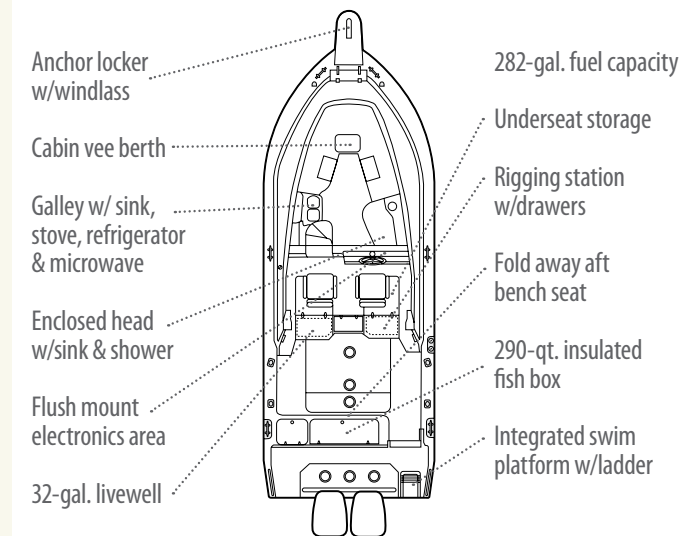


Marlin 300 30' WALKAROUND CABIN



Shown with optional features

- Beam Amidships: 10'7" (3.23 m)
- Center Line Length w/o Engines: 30'6" (9.30 m)
- Bridge Clearance: 9'9" (2.97 m)
- Cockpit Depth: 29" (0.74 m)
- Hull Draft: 23" (0.58 m)
- Transom Deadrise: 19.5 degrees (SeaV²® progression)
- Maximum HP: 700 (522 kW)
- Fuel Capacity - Standard: 282 gal. (1067 l)
- Weight w/o Engines: 8221 lb. (3729 kg)

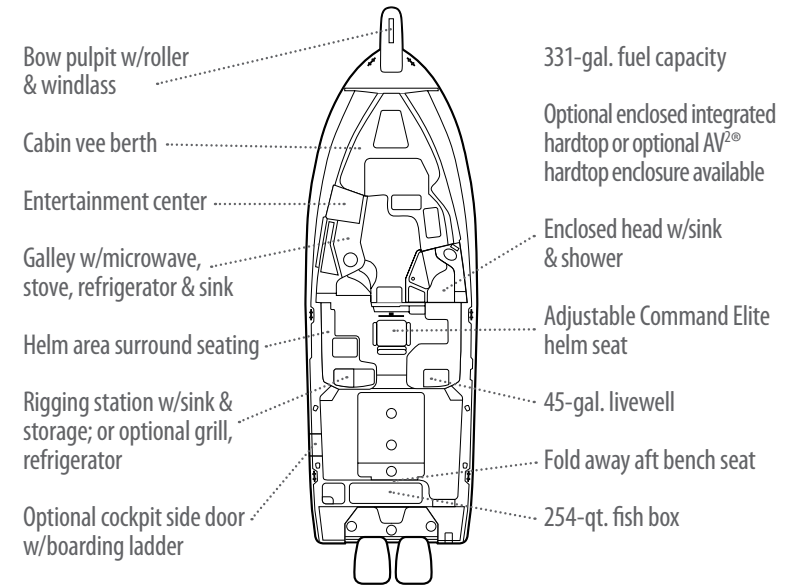


Express 330 33' EXPRESS CABIN



Shown with optional features

Beam Amidships:	11'7" (3.53 m)
Center Line Length w/o Engines:	33'6" (10.21 m)
Bridge Clearance:	9'10" (3 m)
Cockpit Depth:	29" (0.74 m)
Hull Draft:	25" (0.64 m)
Transom Deadrise:	20 degrees (SeaV ² ® progression)
Maximum HP:	700 (522 kW)
Fuel Capacity - Standard:	331 gal. (1253 l)
Weight w/o Engines:	10,840 lb. (4917 kg)

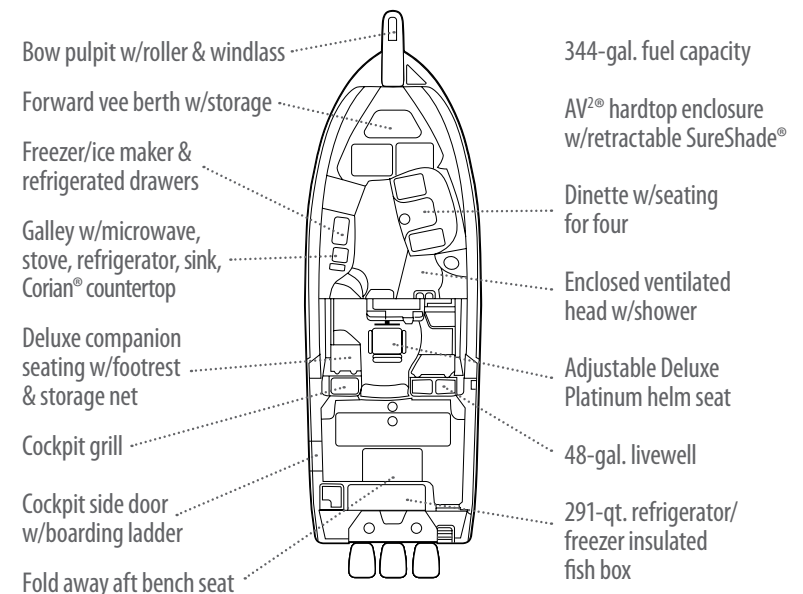


Express 370 37' EXPRESS CABIN



Shown with optional features

Beam Amidships:	13'2" (4.01 m)
Center Line Length w/o Engines:	36'7" (11.15 m)
Bridge Clearance:	10'6" (3.20 m)
Cockpit Depth:	28" (0.71m)
Hull Draft:	29" (0.74 m)
Transom Deadrise:	20 degrees (SeaV ² ® progression)
Maximum HP:	1050 (783 kW)
Fuel Capacity - Standard:	344 gal. (1302 l)
Weight w/o Engines:	15,224 lb. (6905 kg)



Optional Hull Colors

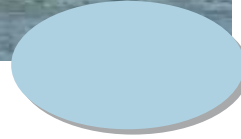
GELCOAT COLORS



Classic Grady White



Celestial Blue



Sand



Seaport Blue



Sea Glass



Coastal Fog



PAINT COLORS



Cape Gray



Harbor Blue



With more requests for colored hulls, and taking into account the individual personalities of today's customers, Grady-White now offers two colors of hull paint and five very sharp-looking gelcoat colors as factory options on every boat, in addition to our classic Grady-White cream-colored hull.

*Ink colors shown are approximate.

CAPTAIN GRADY APP

Our “how-to” guide—so simple and intuitive, a novice can run the boat like a veteran!

This confidence-building, breakthrough digital boat systems and operations guide for iPad and iPhone makes a Grady-White the easiest boat to operate in the world!

Confidence? Grady-White has an app for that. Captain Grady has all the detail, all the answers, all the time, and with any new Grady-White he's available right at your fingertips to provide information and video demonstrations that make boat operation so simple, even an inexperienced, first-time operator can look like a pro!

Captain Grady has all the answers, all the time, right at your fingertips.

Captain Grady is the most comprehensive and detailed boat information tool for owners in the marine industry today, delivering confidence your family can count on. Captain Grady can help you answer questions like these and so many more: **“What are the secrets to confidently docking my Grady-White every time?”**

“What’s the safest and surest way to switch from shore power to generator power?”

“How do I best manage electrical systems aboard my Grady-White?”

To take a look at this amazing, confidence inspiring app, ask your dealer for a demo of this great tool.

There is nothing or nobody like Captain Grady to help you and everyone in the family enjoy your new Grady-White!



No matter your previous experience, you'll feel like a veteran boat operator with Captain Grady systems and operation videos at your fingertips.



GRADY-WHITE BOATS

Exceptional attention to detail.

gradywhite.com

©2017 Grady-White Boats, Inc. • 252-752-2111